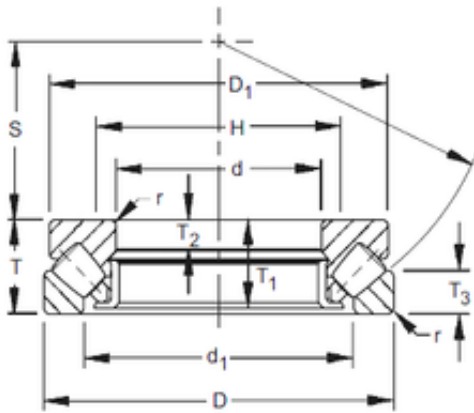


260 mm x 480 mm x 48 mm Timken 29452 thrust roller bearings

Bearing No. 29452



29452 Bearing 2D drawings and 3D CAD models

Size	260x480x132 mm
Bore Diameter	260 mm
Outer Diameter	480 mm
Width	132 mm
d	260 mm
D	480 mm
T	132 mm
B	48 mm
C	64 mm
r max	5,1 mm
T1	127 mm
d1	357 mm
D1	460 mm
H	360 mm
S	154 mm