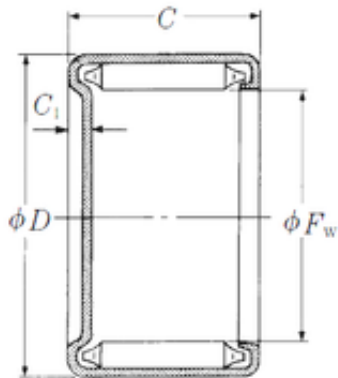


NSK M-241 needle roller bearings

Bearing No. M-241



M-241 Bearing 2D drawings and 3D CAD models

Dimensione	3.175x6.35x6.35 mm
Marchio	NSK
Diametro del foro	3,175 mm
Diametro esterno	6,35 mm
Larghezza	6,35 mm
Fw	3,175 mm
D	6,35 mm
C	6,35 mm
C2	1,3 mm
Peso	0,0014 Kg
Carico dinamico di base (C)	1,64 kN