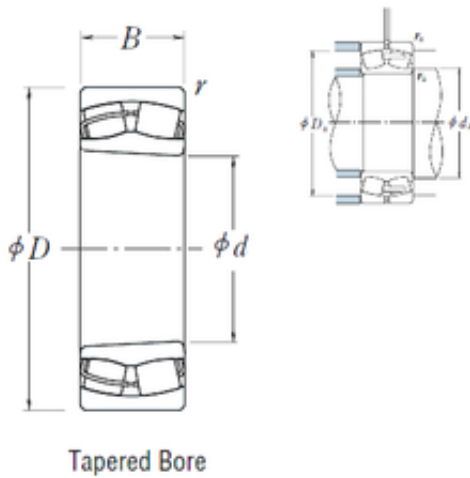


# BEARING-Bearing LTD.



180 mm x 320 mm x 86 mm NSK 22236CDKE4 spherical roller bearings

Bearing No. 22236CDKE4

22236CDKE4 Bearing 2D drawings and 3D CAD models

Size	180x320x86 mm
Bore Diameter	180 mm
Outer Diameter	320 mm
Width	86 mm
d	180 mm
D	320 mm
B	86 mm
C	86 mm
r min.	4 mm
da min.	198 mm
da max	212 mm
Da min	278 mm
Da max.	302 mm
ra max.	3 mm
Weight	30,2 Kg
Basic dynamic load rating (C)	1020 kN
Basic static load rating (C0)	1540 kN
(Grease) Lubrication Speed	1100 r/min
(Oil) Lubrication Speed	1300 r/min
Calculation factor (e)	0,26
Calculation factor (Y0)	2,6
Calculation factor (Y2)	3,9
Category	Spherical Roller Bearings
Inventory	0.0
Manufacturer Name	NSK



## BEARING-Bearing LTD.

Minimum Buy Quantity	N/A
Weight / Kilogram	30
Product Group	B04311
Internal Clearance	C0-Medium
Mounting Method	Adapter Mount
Rolling Element	Spherical Roller Bearing
Bore Profile	Tapered
Cage Material	Steel
Enclosure	Open
Number of Rows of Rollers	Double Row
Relubricatable	Yes
Withdrawal Sleeve	AH2236 (Specify bore)
Inch - Metric	Metric
Long Description	180MM Tapered Bore; 320MM Outside Diameter; 86MM Width; C0-Medium Clearance; Adapter Mount; Double Row of Spherical Roller Bearings; Steel Cage Material; Open Enclosure; Relubricatable; Adapter Part N
Other Features	Order adapter or withdrawal sleeve or nut separately. Others may be available
Category	Spherical Roller Bearing
UNSPSC	31171510
Harmonized Tariff Code	84823080
Noun	Bearing
Keyword String	Spherical
Manufacturer URL	<a href="http://www.nskamericas.com">http://www.nskamericas.com</a>
Manufacturer Item Number	22236CDKE4
Weight / LBS	30
Adapter Part Number	SNW3136 H3136 HA3136



## BEARING-Bearing LTD.

	HR3136 (Specify bore) Inch   H3136 (Specify bore) Millimeter
Outside Diameter	12.598 Inch   320 Millimeter
Width	3.386 Inch   86 Millimeter
Bore	7.087 Inch   180 Millimeter
bore diameter:	180 mm
maximum rpm:	1300 RPM
outside diameter:	320 mm
operating temperature range:	Maximum of +200 ° C
overall width:	86 mm
cage material:	Steel
bore type:	Tapered 1:12
bearing material:	Steel
outer ring type:	Not Split
cage type:	Inner Ring Guided
internal clearance:	C0
precision rating:	RBEC 1 (ISO Class Normal)
closure type:	Open
finish/coating:	Uncoated
lubrication hole type:	Lubrication Groove & Hole
outer ring width:	86 mm
dynamic load capacity:	1020000 N
fillet radius:	4 mm
static load capacity:	1540000 N
series:	222
Y3	2.6
hidYobi	22236CDKE4
LangID	1
Y1	2.6
D_	320



## BEARING-Bearing LTD.

Y2	3.9
Macha rpm	0
B_	86
da min	198
hidTable	ecat_NSSPHR
Oil rpm	1300
Y0	2.6
mass	30.2
GRS rpm	1100
ra	3
TSR rpm	2000
C0	1540
DE_	285.882
X0	1
Prod_Type3	SRB_CTB_TB
X1	1
X2	0.67
SIR	33
e	0.26
DA_	35
bomp	22236CDKE4
Z_	19
ALP2	40
ALP1	9
ALP3	0
D_a max	302
D_a min	278
yobi	22236CDKE4
ALPHA_	0.169
SDM_	251.379
r	4
KBRG	2321



USTRIAL PAF

## BEARING-Bearing LTD.

SBRG	22
DI_	216.876